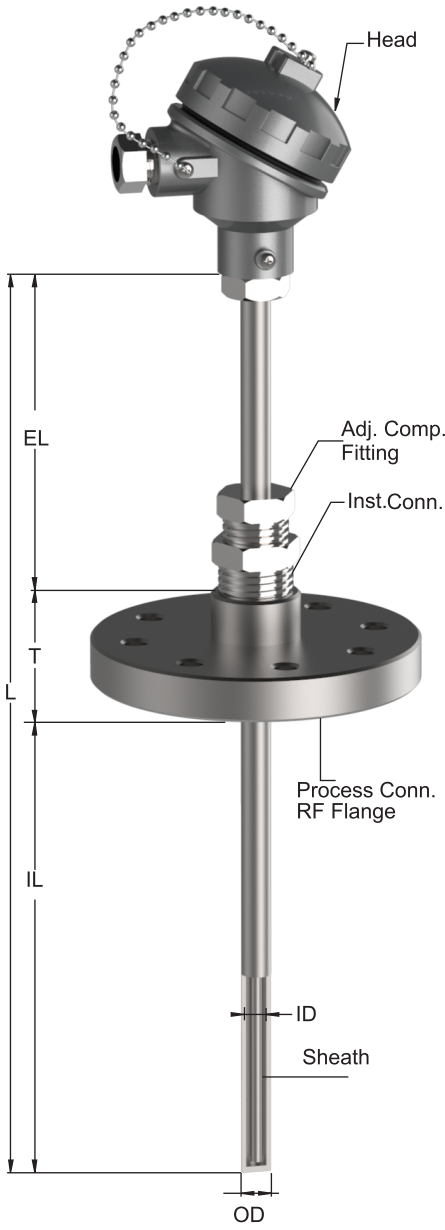


THERMOCOUPLE WITH STRAIGHT THERMOWELL & FITTING

T-731



Termination Style

Junction Style

Thermocouple Element

Sheath "OD"

Sheath Material

Thermowell Material

Thermowell OD (mm)

ID (mm)

Length of "T" (mm)

Process Conn.

Flange Material

Inst. Conn.

Adj. Comp. Fitting

Insertion Length (I.L.) (mm)

Extension Length (E.L.) (mm)

Nominal Length of T/C "L" (mm)

Calibration Standard

A	Die cast Alu A TYPE
B	Die cast Alu B TYPE
C1	Diecast Alu IP-67(SGL Entry)
C2	Diecast Alu IP-67(DBL Entry)
SS	SS- Head
M	Miniature Die cast Alum.
P	Plastic
EB1	Die cast Alu Explosion / Flame proof IIB (Zone1&2)
EB2	SS Explosion / Flame proof IIB (Zone1 & 2)
EC1	Die cast Alu Explosion / Flame proof IIC (T6)
EC2	SS Flame proof IIC (T6)
EC3	Die cast Alu Explosion / Flame proof IIC (T6) ATEX
GN	Grounded Rounded Tip
UN	Ungrounded Rounded Tip

Type of T/C	Description
K	Chromel/Alumel
J	Iron/Constantan
N	Nicrosil-Nisil
T	Copper/Constantan
E	Chromel/Constantan
Other	Consult Factory
Ex. :	If Simplex - K Duplex - KK

1	Ø1mm
1.5	Ø1.5mm
3	Ø3mm
4.5	Ø4.5mm
6	Ø6mm
8	Ø8mm

316	SS 316
310	SS 310
600	Inconel-600
Other	Consult Factory
316	SS 316
310	SS 310
304	SS 304
600	Inconel-600
800	Inconel-800
446	HRS-446
Other	Consult Factory

Flange Rating	Flange Size	Material
150#	1/2"	SS 316
	3/4"	SS 310
	1"	SS 304
300#	1 1/2"	Cast Steel
	1 1/4"	
400#	2"	
600#		
Other		Consult Factory

Threads	1/4"
	1/2"
	3/4"
	3/8"
B.S.P. / N.P.T.	1"
	1 1/4"
	1 1/2"
	2"
M-Thread	M20X1.5, M18X1.5, M33X2, M27X2
Other	Consult Factory

A	ANSI MC96.1
D	DIN
I	IEC