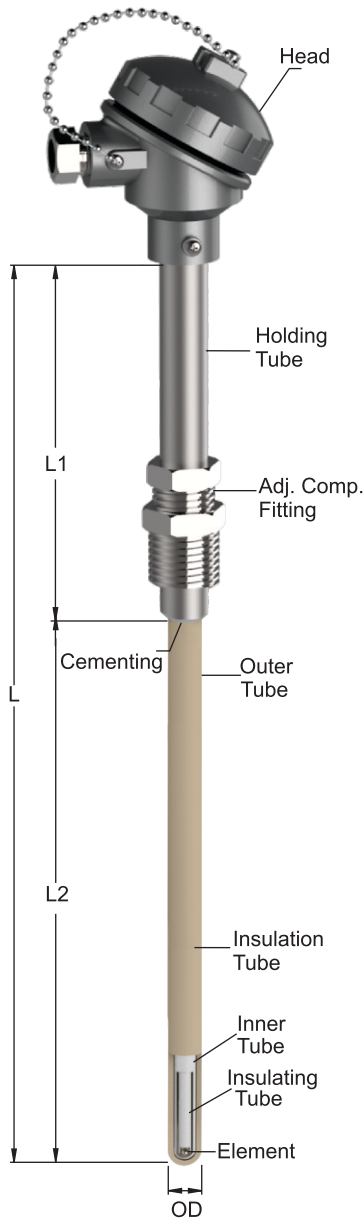


# THERMOCOUPLE WITH DOUBLE PROTECTION TUBE & ADJUSTABLE FITTING



**T-804**

Termination Style

Junction Style

Thermocouple Element

Element Dia

Insulating Tube OD

Insulating Tube Material

Inner Tube OD X ID :

Inner tube Material

Outer Tube OD X ID

Outer Tube Material

Holding Tube Material

Holding Tube OD (mm)

Holding Tube ID (mm)

Holding Tube Length "L1" (mm)

Exposed Length "L2"(mm)

Adj. Comp. Fitting

Nominal Length of T/C (mm)

Calibration Standard

A	Die cast Alu A TYPE	
B	Die cast Alu B TYPE	
C1	Diecast Alu IP-67(SGL Entry)	
C2	Diecast Alu IP-67(DBL Entry)	
SS	SS- Head	
M	Miniature Die cast Alum.	
P	Plastic	
EB1	Die cast Alu Explosion / Flame proof IIB (Zone1 & 2)	
EB2	SS Explosion / Flame proof IIB (Zone1 & 2)	
EC1	Die cast Alu Explosion / Flame proof IIC (T6)	
EC2	SS Flame proof IIC (T6)	
EC3	Die cast Alu Explosion / Flame proof IIC (T6) ATEX	
GN	Grounded	
UN	Ungrounded	
Type of T/C Description		
R	Pt-Rh 13%Pt	
S	Pt-Rh 10% Pt	
B	Pt-Rh 30% Pt-Rh 6%	
Ex.:	If Simplex-R Duplex-RR	
0.35	Ø0.35mm	
0.40	Ø0.40mm	
0.45	Ø0.45mm	
0.50	Ø0.50mm	
Other	Consult Factory	
3.5	Ø3.5mm	
4.5	Ø4.5mm	
5.5	Ø5.5mm	
8.5	Ø8.5mm	
610	Ceramic- 610	
710	Ceramic- 710	
A	6 X 4mm	
B	8 X 5mm	
C	10 X 7mm	
D	12 X 8mm	
316	SS 316	
310	SS 310	
304	SS 304	
600	Inconel 600	
800	Inconel 800	
A	15 X10mm	
B	17 X13mm	
C	20 X15mm	
D	24 X18mm	
610	Recrystallised Alumina Ceramic-KER-610	
710	Recrystallised Alumina Ceramic-KER-710	
799	Recrystallised Alumina Ceramic(99.7%)-C-799	
316	SS 316	
310	SS 310	
304	SS 304	
600	Inconel 600	
800	Inconel 800	
Threads	1/4"	
	1/2"	
	3/4"	
	3/8"	
	1"	
	1 1/4"	
B. S.P. / N.P.T.	1 1/2"	
	2"	
	M-Thread	M20X1.5, M18X1.5, M33X2, M27X2
	Other	Consult Factory
N/A	Not Applicable	
A	ANSI MC96.1	
D	DIN	
I	IEC	