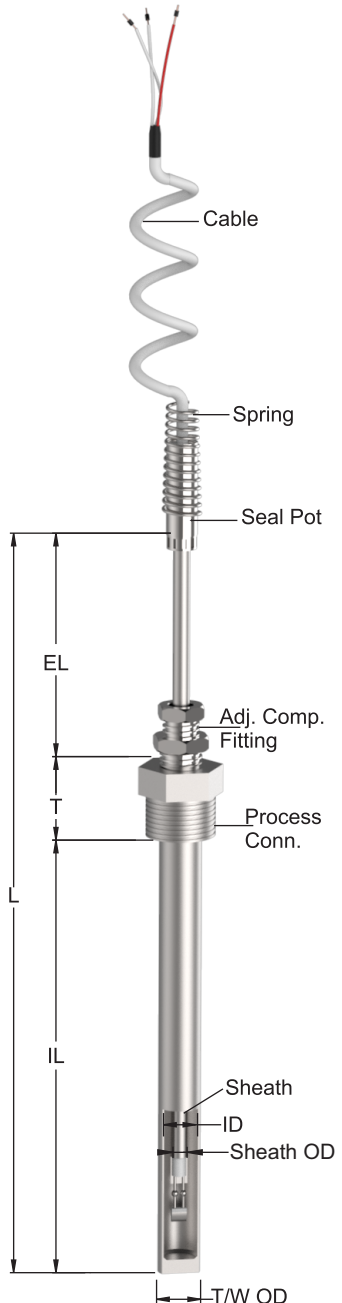


RTD WITH STRAIGHT THERMOWELL, ADJUSTABLE COMPRESSION FITTING & CABLE



R-504

RTD Element		1	Pt-100x1, Simplex
		2	Pt-100x2, Duplex
		Other	Consult Factory
Junction Style		W2	2- Wire
		W3	3- Wire
		W4	4- Wire
Sheath "OD"		3	Ø3mm
		4.5	Ø4.5mm
		6	Ø6mm
		8	Ø8mm
		Other	Consult Factory
Sheath Material		316	SS 316
		Other	Consult Factory
Thermowell "OD" (mm)		316	SS 316
		310	SS 310
		304	SS 304
		600	Inconel-600
		800	Inconel-800
		446	HRS-446
		Other	Consult Factory
Thermowell Material			
Process Connection		Threads	1/4"
			1/2"
			3/8"
			3/4"
		B.S.P. / N.P.T.	1"
			1 1/4"
			1 1/2"
			2"
		M-Thread	M20X1.5, M18X1.5, M33X2, M27X2
		Other	Consult Factory
Adj. Comp. Fitting			
Length of "T" (mm)			
Insertion Length (I.L.) (mm)			
Extention Length (E.L.) (mm)		A	Teflon/Teflon Insulated Flexible Cable
		B	Teflon Insulated & SS Braided Flexible Cable
		C	FG/FG Insulated Flexible Cable
		D	PVC/PVC Insulated Flexible Cable
		E	FG/FG/Insulated/SS Braided
		Other	Consult Factory
Nominal Length of T/C (L) (mm)			
Type of Cable			
Cable Length (mm)			
Calibration Standard		A	ANSI MC96.1
		D	DIN
		I	IEC