

# ThermCAM-80

Economic & Modern Day Alternative  
For Spot Temperature Measurement  
IR Thermometer

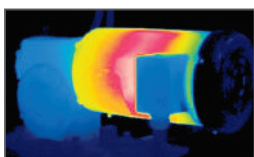


ThermCAM-80 is a versatile thermal camera which can be used for a wide range of temperature measurement applications. ThermCAM-80 with resolution of 80 x 80 pixels, provides optimum image resolution as well as thermal data transfer to PC via 100 Mbps Ethernet connectivity. With InfraView™ Software, it can fit many industrial applications off-the-shelf. Whether in quality control, process monitoring or process automation, ThermCAM-80 measures temperature of each pixel consistently and accurately.

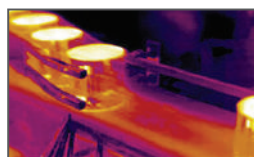
## Product Highlights

- ThermCAM-80 works at a long wavelength range from 8 - 14 μm.
- Configurable storage and temperature video recording.
- Provide continuous thermal video in InfraView™ Software in PC via an Ethernet connectivity.
- High shock and vibration tolerance for maintenance-free operation.
- Multiple ThermCAM can be connected to single InfraView™ Software.

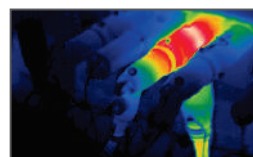
## Typical Applications



Critical Assets



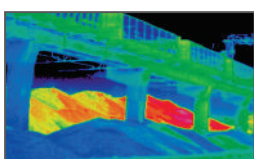
Process Automation



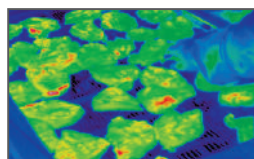
Electric Equipment Inspection



Conveyer Belt Monitoring



Early Fire Detection



Quality Management



HVAC Inspection



Research and Development

## Temperature Ranges

- -20°C - 120°C
  - 100°C - 1000°C
- } Switchable via Software

## Detector

Uncooled FPA detector with 80 x 80 pixels resolution.

## Measurement Accuracy

±2% of reading in °C or °K

## Software Features

- Different Types of ROI for localized temperature monitoring and measurement
- Histogram and Trend Chart of ROI.
- Configurable Audio/Visual Alarm.
- Configurable Alarm output to I/O module.

## Output Interface

- Fast thermal data acquisition in real time via 100M-bit Ethernet with built-in 4-20mA, TTL o/p.
- Digital and analog input/output modules

# ThermCAM-80

## Overview

The compact design of the ThermCAM-80 enables the integration of the camera into compact process applications, while the durable and robust housing guarantees reliability even in most harsh industrial environments. The ThermCAM-80 can be installed with an optional IP65 enclosure with air purge unit for additional protection in harsh industrial environments where ambient temperatures exceed  $\sim 50^{\circ}\text{C}$ .

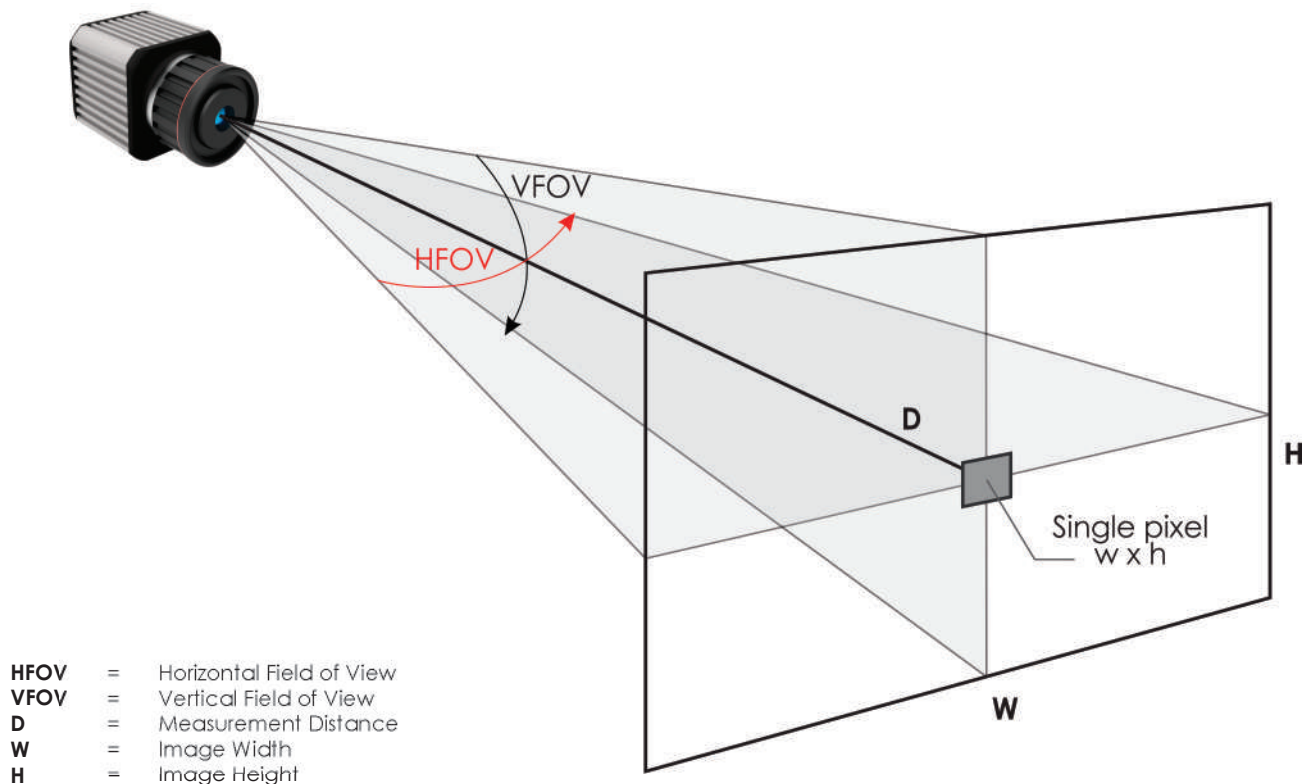
The built-in 100M-bit allows the camera to be connected to the network for high speed data transmission to InfraView™ software for further analysis.

## Optics Variants

ThermCam-80 comes with standard 5.56mm lens. The table and picture show the correlation between the measurement distance and the size of the measurement fields.

Measurement Field (HFOV x VFOV)	Distance of object	Width (m)	Height (m)	Pixel WxH (mm)
28° x 28° (FL = 5.56 mm)	1 M	0.49	0.49	6.23
	5 M	2.44	2.44	31.17
	10 M	4.89	4.89	62.13

**Note :** Other lens options are also available as per application requirements.

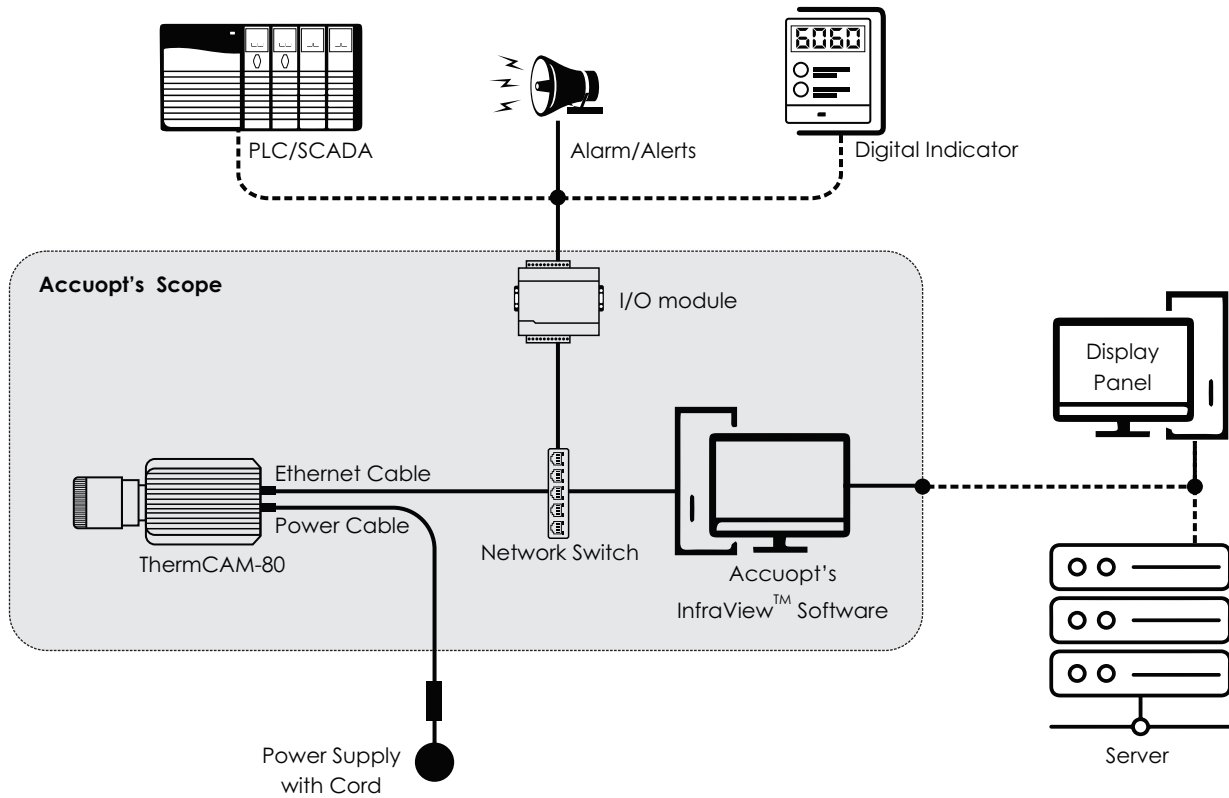


## SYSTEM CONFIGURATION

AccuOpt thermal imagers offer several configuration options.

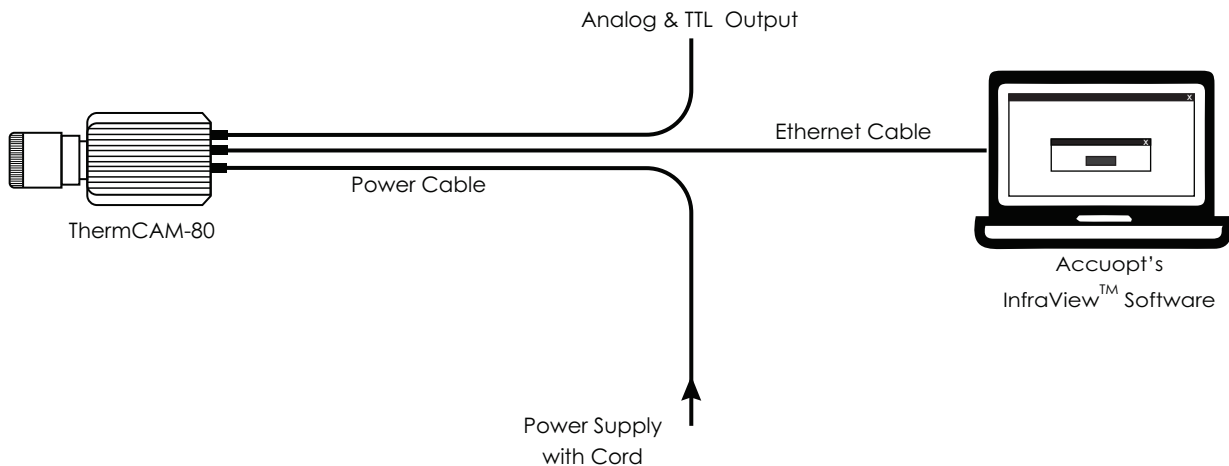
### ThermCAM-80 Over Network

The system can be set up by connecting the camera directly to a dedicated computer using Ethernet connection which can be extended for remote access/intranet. Also camera can be paired with a network device (switch) which can be further connected with I/O module to get alarm/alerts, analog/digital output for digital indicator and PLC/SCADA systems.



### ThermCAM-80 Standalone System

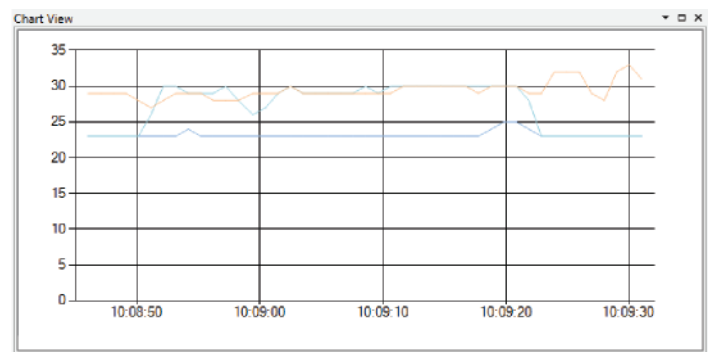
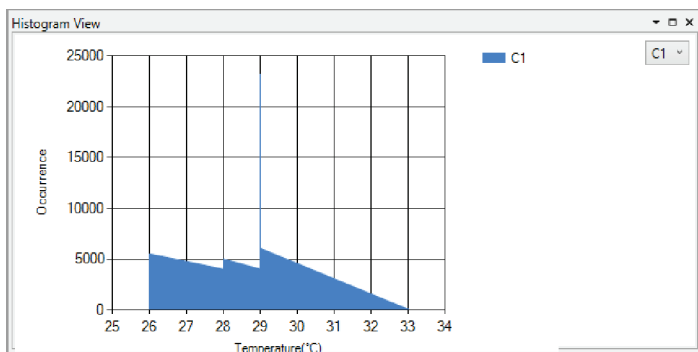
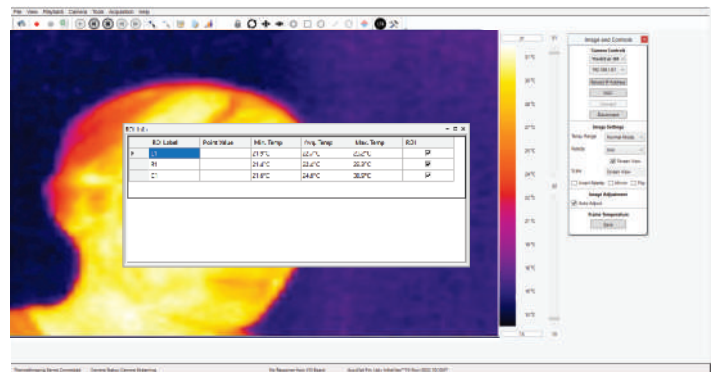
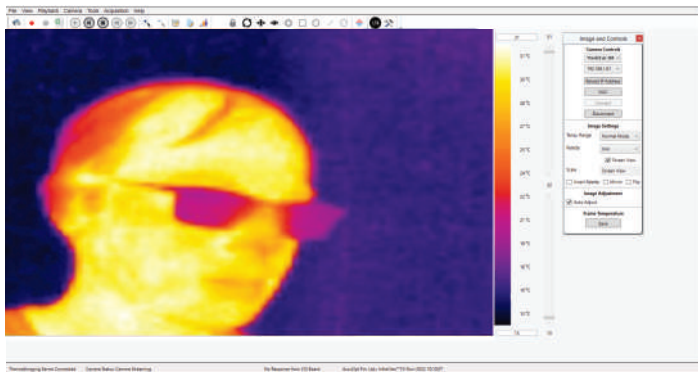
Additionally, the camera can be used with a desktop PC or with a laptop for a standalone monitoring system.



## INFRAVIEW™ SOFTWARE

ThermCAM-80 comes with thermal image processing software InfraView™ at the core of a thermal imaging system which is Windows based Software with many useful features.

AccuOpt's InfraView™ software allows you to stream thermal video on a PC, record thermal video, Draw ROI (Region Of Interest) in various shapes and sizes. It allows computed temperatures to be sent out via I/O card which in turn can be connected to PLCs.



## SALIENT FEATURE LIST FOR INFRAVIEW™ SOFTWARE

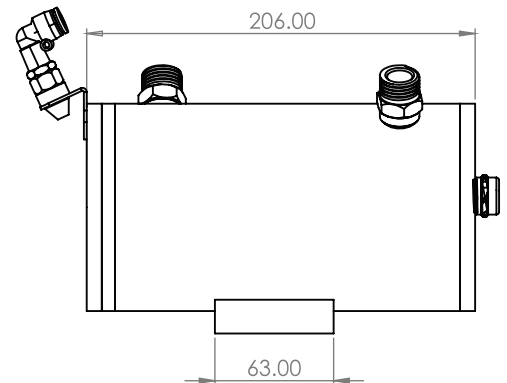
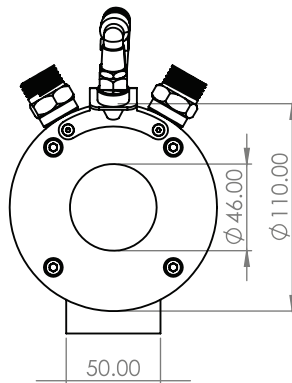
- Configurable emissivity, Transmissivity Settings
- Real-time display of thermal images
- Includes 9 different color palates
- Multiple types of ROI including point, line, and area with min./max./avg. temperature display
- Includes analysis tools like histogram and temperature trend chart for multiple ROI's.
- Alarm generation for entire or ROI based on minimum, maximum or average temperature
- Analog and digital output module
- Triggered capture based on alarm conditions
- Password controlled user access
- Data export to text or Microsoft Excel (includes thermal image, ROI table summary/data, image data) or to text
- Analyze previously recorded images using RAW data
- Saving Thermal Video in MP4 format
- Optional SDK
- Additional software for Real Time Temperature dashboard, analysis and report generation.

## STANDARD ACCESSORIES

- Power Cord 3 Mtr.
- Ethernet Cable 10Mtr.
- Standard Infraview™ Software
- Lens
- SMPS

## OPTIONAL ACCESSORIES

### Water Cooling Jacket with Air Purge



### I/O Module



I/O Module

The I/O module consist of digital input/digital output(relay output) and analog 4 - 20mA, which can be mounted on Din-rail. It provides analog and relay outputs with respect to temperature. These outputs can be customized for temperature indication, alarm generation or error reporting.

- All I/O are user settable for range and ROI selection
- I/O Channel parameters can be customized via software, as per requirement
- I/O works on Ethernet and provide with Din rail Mounting for Easy Installation

### Workstation/Laptop (for Single Camera Only)



- Processor : Intel i3 6<sup>th</sup> Generation or Higher
- RAM : 4 GB
- HDD : 1 TB or Higher
- SSD : 256GB
- 2 Nos Gigabit Ethernet port
- Operating System : Windows 10 Pro

### Wall Mounting



### Power Supply



### Tripod



### Network Devices



## TECHNICAL DATA

Performance Specifications	
Temperature Range	-20°C to 120°C   100°C to 1000°C Switchable via software
Optical Resolution	80 x 80 pixels
Detector	Uncooled FPA Detector
Frequency	Upto 25Hz
Emissivity	0.01 - 1.0 adjustable
Accuracy	±2% of reading in °C or °K (Ambient temp @25°C)
Spectral Range	8 to 14 µm
Sensitivity / NETD	<100mK@f1.0, 50Hz 300 K
Pixel Pitch	34 µm

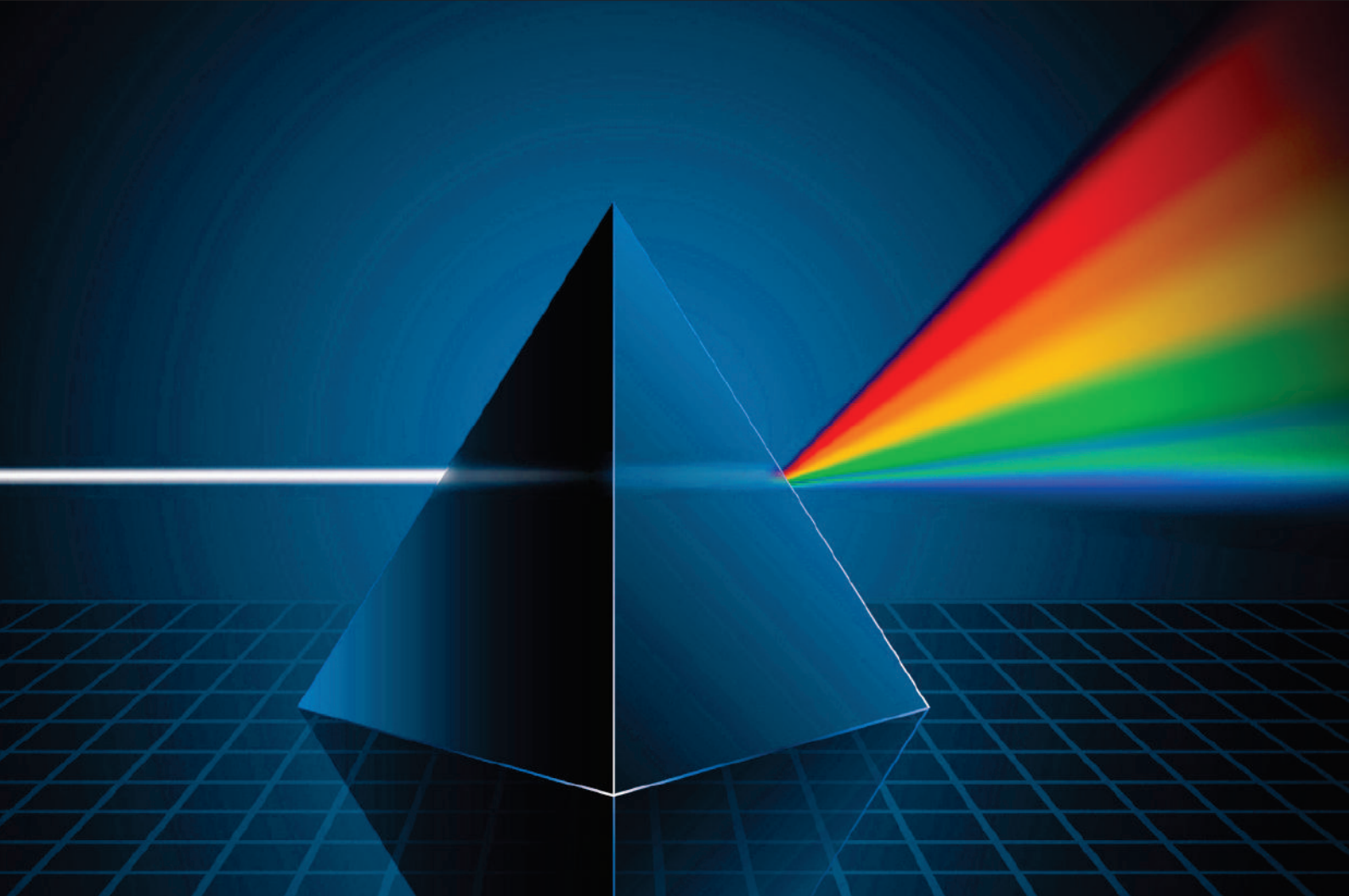
Interface Specifications	
Video	100MBit/s Ethernet
Connection	Power Connector, RJ-45 Ethernet Connector
Output	4 - 20mA   1 TTL output
Video Format for Saving	MP4
Image Format for Saving	JPEG

Electrical Specifications	
Power Supply	12 to 28 V DC
Power Consumption	<4 Watt

Environmental / Mechanical Specifications	
Ambient Temperature	0°C - 50°C
Storage Temperature	-40°C - 70°C
Relative Humidity	≤95% non-condensing
Shock Resilience	25g
Vibration Resilience	2g
Weight	~550 gms (with 5.56 mm lens)
Protection Class	IP65
Size	60 x 60 x 95 mm (with 5.56 mm lens)
Mounting	UNC 1/4"-20 , UNC 3/8"-16 Standard Mount

I/O Module Specifications	
Analog Output	4 Channel Analog Current Output (4 - 20mA)
Digital Input	2 Isolated Inputs
Digital Output	2 Relay Outputs
Power Supply	5 V DC

Cooling Jacket Specifications	
Inlet/Outlet (Cooling)	½" NPT Thread
Inlet For Air Purging	PU Pipe suitable for 6mm nozzle
Water Flow Rate	6-8 L/min
Air Pressure	Min. 3 bar (Moist Free)
Mounting	5 x M5 thread



for any information  
visit [www.tempsens.com](http://www.tempsens.com)  
[info@tempsens.com](mailto:info@tempsens.com)

B-188A, Road No.5, M.I.A., Udaipur-313003 (Rajasthan) INDIA  
Ph.:+91-9116554600

---

Specifications are subject to change without notice. Not responsible  
for errors or omissions. Tempsens Instruments (I) Pvt. Ltd.