

P450C

Portable Infrared Pyrometer

P450C is specially designed highly accurate digital pyrometer to provide high performance and low maintenance of non contact temperature measurement in demanding industrial environment.

Features

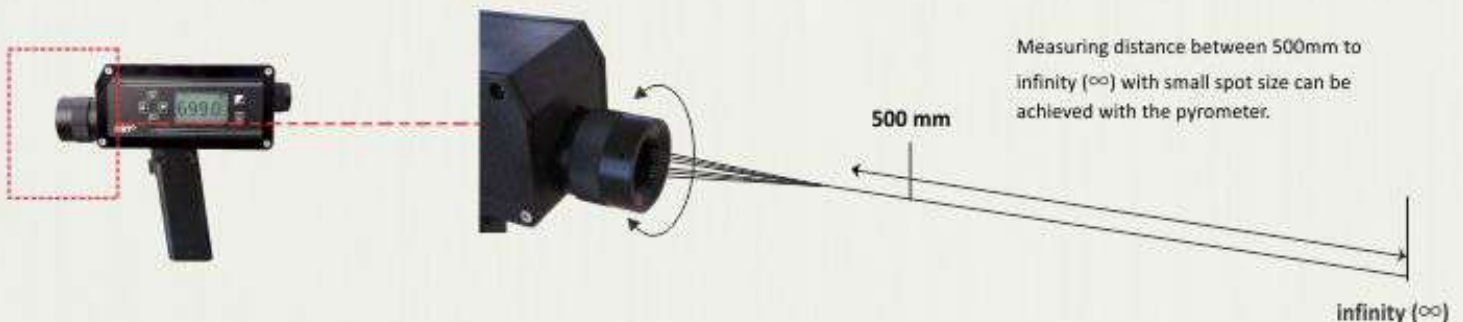
- Wide temperature ranges: 600°C to 2500°C.
- Spectral Range: 0.7 μm - 1.15 μm
- Two color model
- Fast response time within milliseconds
- Through-the-Lens view finder sighting with inbuilt display
- USB Connectivity
- Small Spot Sizes
- Data storage up to 4000 values.

Standard Scope of Supply

- Pyrometer with through the lens sighting
- USB interface, USB 2.0 Cable
- Calibration certificate
- Software CD and Operation manual
- Carry Box
- Charger.

Focusable Optics

The pyrometers are equipped with a high quality focusable optics. Adjusting the optics to required measuring distance achieves the spot sizes specified in table. The adjustment can be taken via the scale on the objective or by focusing the measuring object in the view finder. User can adjust measuring distance from 500mm - 9000 mm.



Applications

- Welding
- Tempering
- Hardening
- Annealing
- Molten Glass
- Glass Moulds
- Steel
- Heater Tubes
- Reheat Furnaces

Tempsens Instruments (I) Pvt. Ltd.

Follow Us On



B-188A, Road No.5, M.I.A., Udaipur - 313003 (Rajasthan) INDIA
Ph. 91-294-3057700, Fax .91-294-3057750
Email: info@tempsens.com