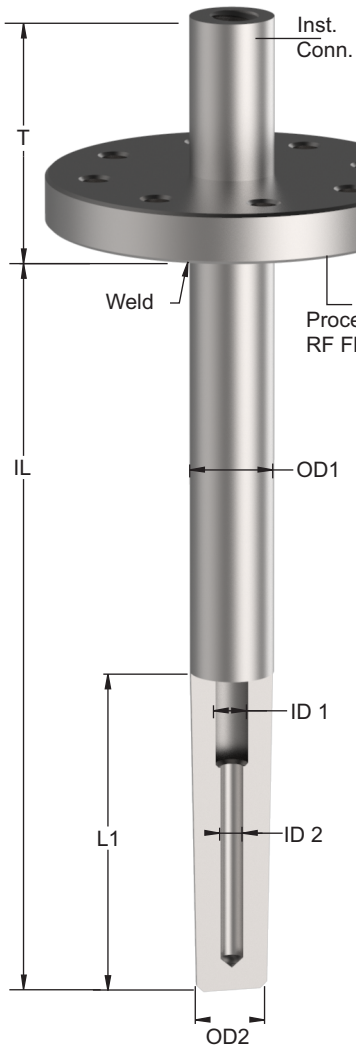


FLANGE WITH TAPER THERMOWELL

A-115



Thermowell Material

304	SS 304
310	SS 310
316	SS 316
600	Inconel-600
800	Inconel-800
446	HRS- 446
Other	Consult Factory

Thermowell Od1 (mm)

Thermowell OD2 (mm)

Process Conn. RF Flange

Thermowell Id1 (mm)

Thermowell Id2 (mm)

Flange Rating	Flange Size
# 150	1/2"
	3/4"
# 300	1"
# 400	1 1/2"
# 600	1 1/4"
Other	Consult Factory

Process Conn. RF Flange

Instrument. Conn.

Threads B.S.P./ N.P.T.	1/4"
	1/2"
	3/4"
	3/8"
	1"
	1 1/4"
M-Thread	1 1/2"
	2"
Other	M20X1.5, M18X1.5 M27X2 Consult Factory

Taper Length (L1) (mm)

Length of "T" (mm)

Insertion Length "I.L." (mm)