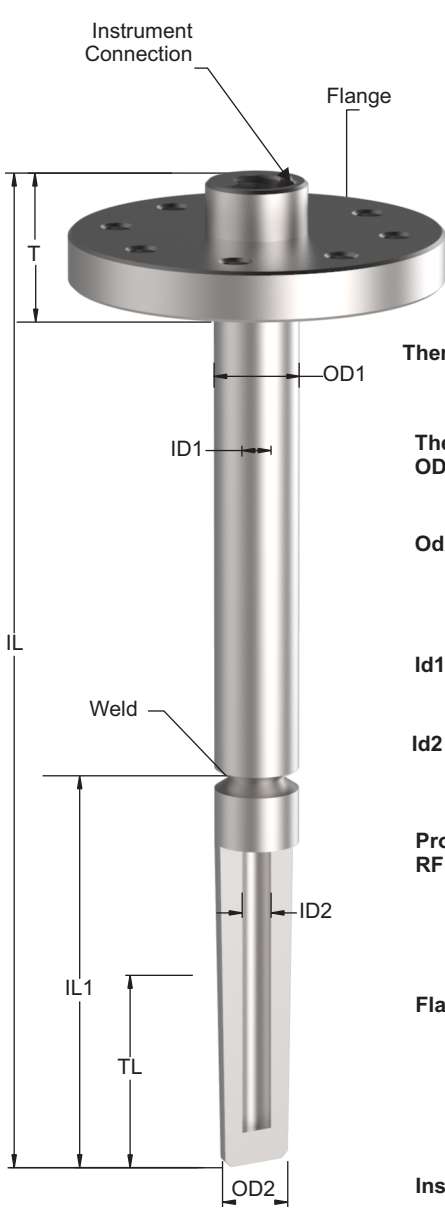


# WELDED THERMOWELL WITH FLANGE



**A-112**

Thermowell Material

Thermowell OD1 (mm)

Od2 (mm)

Id1 (mm)

Id2 (mm)

Process Conn. RF Flange

Flange Material

Instrument. Conn.

Length of "T" (mm)

Length of "L1" (mm)

Insertion Length (I.L.)(mm)

316	SS 316
310	SS 310
304	SS 304
600	Inconel-600
800	Inconel-800
446	HRS-446
Other	Consult Factory

Flange Rating	Flange Size
# 150	1/2"
# 300	3/4"
# 400	1"
# 600	1 1/2"
	1 1/4"
	2"
Other	Consult Factory

316	SS 316
310	SS 310
304	SS 304
CS	Cast Steel
Other	Consult Factory

Threads	1/4"
	1/2"
	3/4"
	3/8"
	1"
	1 1/4"
B.S.P./ N.P.T.	1 1/2"
	2"
M-Thread	M20X1.5, M18X1.5 M27X2
Other	Consult Factory

