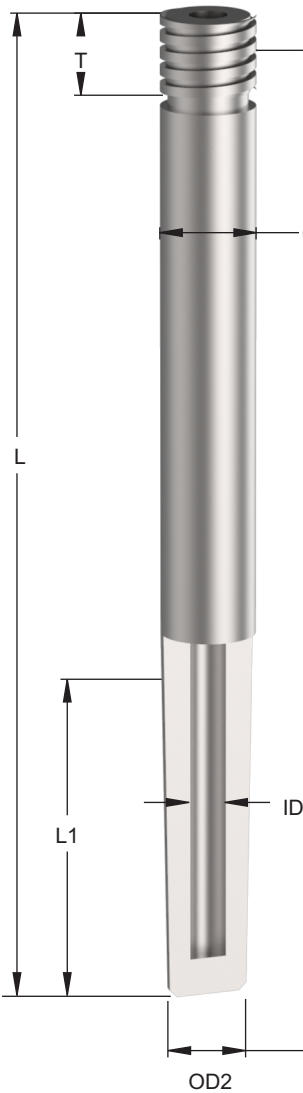


TAPERED THERMOWELL (MALE THREAD)

A-103



End Conn.

Thermowell Material

Thermowell
OD1 (mm)

Od2 (mm)

ID (mm)

End Conn.

Length of Thread
"T" (mm)

Taper Length
"L1" (mm)

Thermowell Length
"L" (mm)

304	SS 304
310	SS 310
316	SS 316
600	Inconel-600
800	Inconel-800
446	HRS- 446
Other	Consult Factory

Threads B.S.P./ N.P.T.	1/4"
	1/2"
	3/4"
	3/8"
	1"
	1 1/4"
1 1/2"	
2"	
M-Thread	M20X1.5, M18X1.5 M27X2
Other	Consult Factory