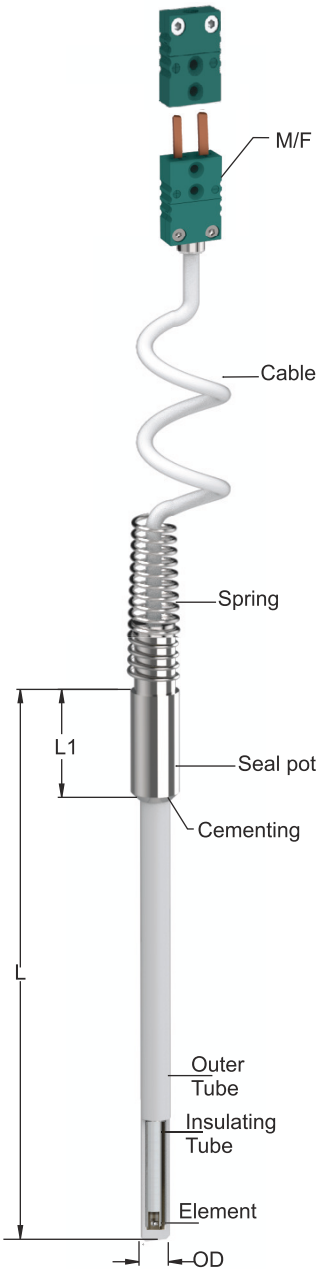


# STANDARD THERMOCOUPLE WITH CABLE & M-F CONNECTOR

## T-800



| Termination Style              |                           | A  | Standard Plug / Socket                       |             |             |   |             |   |              |   |                    |      |                           |
|--------------------------------|---------------------------|--|--|-------------|-------------|---|-------------|---|--------------|---|--------------------|------|---------------------------|
|                                |                           | B  | Miniature Plug / Socket                      |             |             |   |             |   |              |   |                    |      |                           |
| Junction Style                 |                           | GN   | Grounded                                     |             |             |   |             |   |              |   |                    |      |                           |
|                                |                           | UN   | Ungrounded                                   |             |             |   |             |   |              |   |                    |      |                           |
| Thermocouple Element           |                           | <table border="1"> <thead> <tr> <th>Type of T/C</th> <th>Description</th> </tr> </thead> <tbody> <tr> <td>R</td> <td>Pt-Rh 13%Pt</td> </tr> <tr> <td>S</td> <td>Pt-Rh 10% Pt</td> </tr> <tr> <td>B</td> <td>Pt-Rh 30% Pt-Rh 6%</td> </tr> <tr> <td>Ex.:</td> <td>If Simplex-R<br/>Duplex-RR</td> </tr> </tbody> </table> |  | Type of T/C | Description | R | Pt-Rh 13%Pt | S | Pt-Rh 10% Pt | B | Pt-Rh 30% Pt-Rh 6% | Ex.: | If Simplex-R<br>Duplex-RR |
| Type of T/C                    | Description               |  |  |             |             |   |             |   |              |   |                    |      |                           |
| R                              | Pt-Rh 13%Pt               |  |  |             |             |   |             |   |              |   |                    |      |                           |
| S                              | Pt-Rh 10% Pt              |  |  |             |             |   |             |   |              |   |                    |      |                           |
| B                              | Pt-Rh 30% Pt-Rh 6%        |  |  |             |             |   |             |   |              |   |                    |      |                           |
| Ex.:                           | If Simplex-R<br>Duplex-RR |  |  |             |             |   |             |   |              |   |                    |      |                           |
| Element Dia                    |                           | 0.35   | Ø0.35mm                                      |             |             |   |             |   |              |   |                    |      |                           |
|                                |                           | 0.40   | Ø0.40mm                                      |             |             |   |             |   |              |   |                    |      |                           |
|                                |                           | 0.45   | Ø0.45mm                                      |             |             |   |             |   |              |   |                    |      |                           |
|                                |                           | 0.50   | Ø0.50mm                                      |             |             |   |             |   |              |   |                    |      |                           |
|                                |                           | Other  | Consult Factory                              |             |             |   |             |   |              |   |                    |      |                           |
| Insulating Tube OD             |                           | 3.5  | Ø3.5mm                                       |             |             |   |             |   |              |   |                    |      |                           |
|                                |                           | 4.5  | Ø4.5mm                                       |             |             |   |             |   |              |   |                    |      |                           |
|                                |                           | 5.5  | Ø5.5mm                                       |             |             |   |             |   |              |   |                    |      |                           |
|                                |                           | 8.5  | Ø8.5mm                                       |             |             |   |             |   |              |   |                    |      |                           |
| Insulating Tube Material       |                           | 610  | Ceramic- 610                                 |             |             |   |             |   |              |   |                    |      |                           |
|                                |                           | 710  | Ceramic- 710                                 |             |             |   |             |   |              |   |                    |      |                           |
| Outer Sheath OD X ID :         |                           | A  | 6 X 4mm                                      |             |             |   |             |   |              |   |                    |      |                           |
|                                |                           | B  | 8 X 5mm                                      |             |             |   |             |   |              |   |                    |      |                           |
|                                |                           | C  | 10 X 7mm                                     |             |             |   |             |   |              |   |                    |      |                           |
|                                |                           | D  | 12 X 8mm                                     |             |             |   |             |   |              |   |                    |      |                           |
|                                |                           | E  | 15 X10mm                                     |             |             |   |             |   |              |   |                    |      |                           |
|                                |                           | F  | 17 X13mm                                     |             |             |   |             |   |              |   |                    |      |                           |
|                                |                           | G  | 20 X15mm                                     |             |             |   |             |   |              |   |                    |      |                           |
|                                |                           | H  | 24 X18mm                                     |             |             |   |             |   |              |   |                    |      |                           |
| Outer tube Material            |                           | 610  | Recrystallised Alumina Ceramic-KER-610       |             |             |   |             |   |              |   |                    |      |                           |
|                                |                           | 710  | Recrystallised Alumina Ceramic-KER-710       |             |             |   |             |   |              |   |                    |      |                           |
| Sealpot Length "L1"(mm)        |                           | 799  | Recrystallised Alumina Ceramic(99.7%)-C-799  |             |             |   |             |   |              |   |                    |      |                           |
| Nominal Length of T/C "L" (mm) |                           | A  | Teflon/Teflon Insulated Flexible Cable       |             |             |   |             |   |              |   |                    |      |                           |
|                                |                           | B  | Teflon Insulated & SS Braided Flexible Cable |             |             |   |             |   |              |   |                    |      |                           |
| Type of Cable                  |                           | C  | FG/FG Insulated Flexible Cable               |             |             |   |             |   |              |   |                    |      |                           |
|                                |                           | D  | PVC/PVC Insulated Flexible Cable             |             |             |   |             |   |              |   |                    |      |                           |
| Cable Length (mm)              |                           | E  | FG/FG/Insulated/SS Braided                   |             |             |   |             |   |              |   |                    |      |                           |
|                                |                           | Other  | Consult Factory                              |             |             |   |             |   |              |   |                    |      |                           |
| Calibration Standard           |                           | A  | ANSI MC96.1                                  |             |             |   |             |   |              |   |                    |      |                           |
|                                |                           | D  | DIN  |             |             |   |             |   |              |   |                    |      |                           |
|                                |                           | I  | IEC  |             |             |   |             |   |              |   |                    |      |                           |