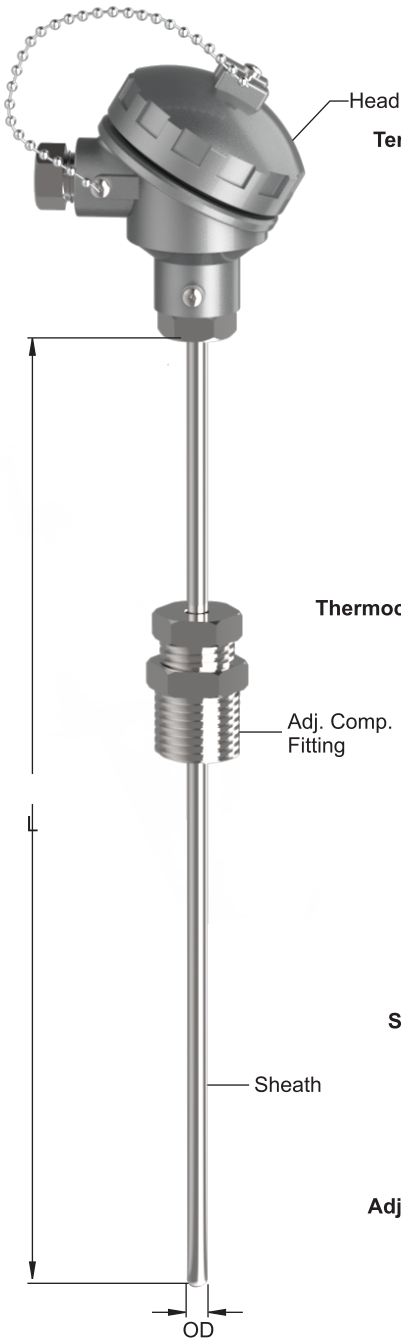


# THERMOCOUPLE WITH HEAD

**T - 101**



Termination Style

A	Die cast Alu A TYPE
B	Die cast Alu B TYPE
C1	Die cast Alu IP-67 (Single Entry)
C2	Die cast Alu IP-67 (Double Entry)
SS	SS- Head
M	Miniature Die cast Aluminium
P	Plastic
EB1	Die cast Alu Explosion / Flame proof IIB (Zone1 & 2)
EB2	SS Explosion / Flame proof IIB (Zone1 & 2)
EC1	Die cast Alu Explosion / Flame proof IIC (T6)
EC2	SS Flame proof IIC (T6)
EC3	Die cast Alu Explosion / Flame proof IIC (T6) ATEX

Junction Style

GN	Grounded
UN	Ungrounded

Thermocouple Element

Type of T/C	Description
K	Chromel/Alumel
J	Iron/Constantan
N	Nicrosil-Nisil
T	Copper/Constantan
E	Chromel/Constantan
Other	Consult Factory
Ex.;	If <b>Simplex</b> - K, <b>Duplex</b> - KK

Sheath "OD"

1	Ø1mm
1.5	Ø1.5
3	Ø3
4.5	Ø4.5
6	Ø6
8	Ø8
Other	Consult Factory

Sheath Material

316	SS316
310	SS310
600	Inconel-600
Other	Consult Factory

Adj. Comp. Fitting

Threads	1/4"
	1/2"
B.S.P. / N.P.T.	3/8"
	3/4"
	1"
	1 1/4"
	1 1/2"
	2"

Nominal Length of T/C (L) (mm)

M-Thread	M20X1.5, M18X1.5, M33X2, M27X2
Other	Consult Factory
N/A	Not Applicable

Calibration Standard

A	ANSI 96.1
D	DIN
I	IEC