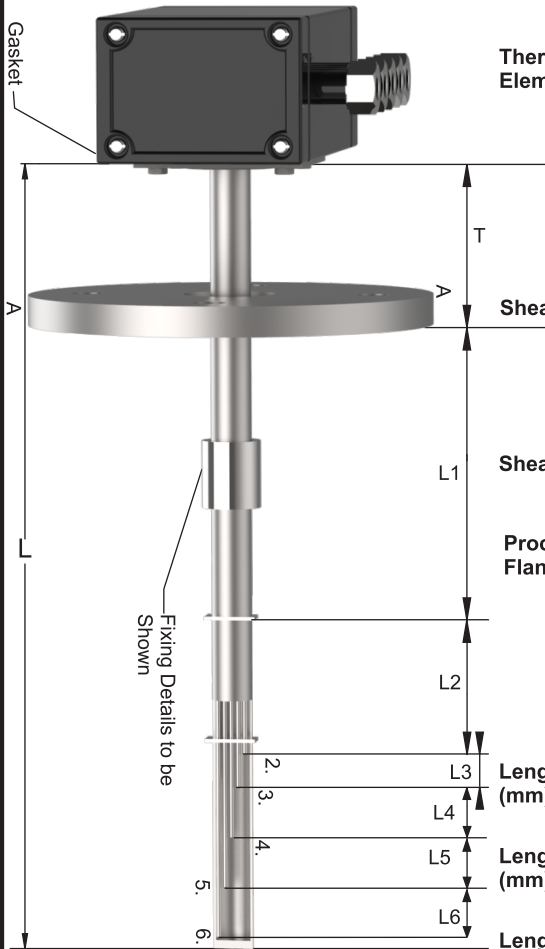


# MULTI POINT THERMOCOUPLE



**T-953**

Termination Style  J Junction Box

Junction Style  GN Grounded  
UN Ungrounded

Thermocouple Element

Type of T/C	Description
K	Chromel/Alumel
J	Iron/Constantan
N	Nicrosil-Nisil
T	Copper/Constantan
E	Chromel/Constantan
Other	Consult Factory
Ex. :	If Simplex - K Duplex - KK

Sheath "OD"

1	Ø1mm
1.5	Ø1.5mm
3	Ø3mm
4.5	Ø4.5mm
6	Ø6mm
8	Ø8mm

Sheath Material

316	SS 316
310	SS 310
600	Inconel-600
Other	Consult Factory

Process Conn. Flange

Flange Rating	Flange Size	Material
	1/2"	SS 316
150 #	3/4"	SS 310
300 #	1"	SS 304
400 #	1 1/2"	Cast Steel
600 #	1 1/4"	
	2"	
Other	Consult Factory	

Length L1 (mm)

Length L2 (mm)

Length L3 (mm)

Length L4 (mm)

Length L5 (mm)

Length L6 (mm)

Length T (mm)

Nominal Length of T/C "L" (mm)