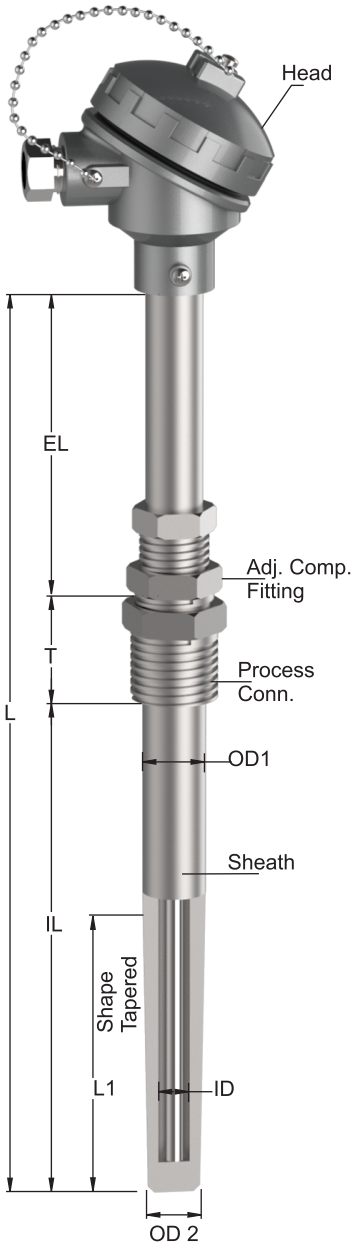


THERMOCOUPLE WITH TAPERED THERMOWELL & ADJUSTABLE COMPRESSION FITTING



T-656

Termination Style

Junction Style

Thermocouple Element

Sheath "OD"

Sheath Material

Thermowell Material

Thermowell OD1 (mm)

OD2(mm)

ID (mm)

Length of "T" (mm)

Process Conn.

Adj. Comp. Fitting

Insertion Length (I.L.)(mm)

Tapered Length (L1)(mm)

Extension Length (E.L.)(mm)

Nominal Length of T/C "L"(mm)

Calibration Standard

A	Die cast Alu A TYPE
B	Die cast Alu B TYPE
C1	Die cast Alu IP-67 (Single Entry)
C2	Die cast Alu IP-67(Double Entry)
SS	SS- Head
M	Miniature Die cast Alum.
P	Plastic
EB1	Die cast Alu Explosion / Flame proof IIB (Zone1 & 2)
EB2	SS Explosion / Flame proof IIB (Zone1 & 2)
EC1	Die cast Alu Explosion / Flame proof IIC (T6)
EC2	SS Flame proof IIC (T6)
EC3	Die cast Alu Explosion / Flame proof IIC (T6) ATEX

GN	Grounded Rounded Tip
UN	Ungrounded Rounded Tip

Type of T/C	Description
K	Chromel/Alumel
J	Iron/Constantan
N	Nicrosil-Nisil
T	Copper/Constantan
E	Chromel/Constantan
Other	Consult Factory
Ex. :	If Simplex - K Duplex - KK

1	Ø1mm
1.5	Ø1.5mm
3	Ø3mm
4.5	Ø4.5mm
6	Ø6mm
8	Ø8mm

316	SS 316
310	SS 310
600	Inconel-600
Other	Consult Factory

316	SS 316
310	SS 310
304	SS 304
600	Inconel-600
800	Inconel-800
446	HRS-446
Other	Consult Factory

Threads	1/4"	
	1/2"	
	3/4"	
	3/8"	
B.S.P. / N.P.T.	1"	
	1 1/4"	
	1 1/2"	
	2"	
M-Thread	M20X1.5, M18X1.5, M33X2, M27X2	
	Other	Consult Factory

A	ANSI MC96.1
D	DIN
I	IEC