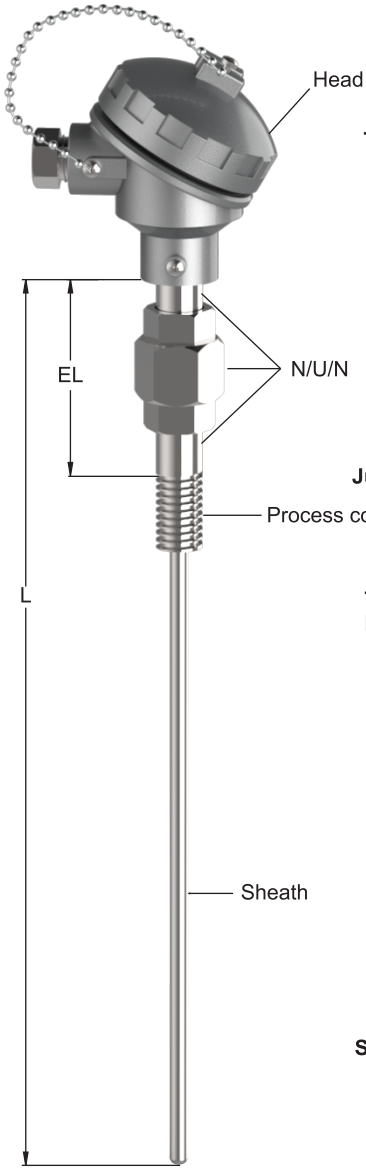


# THERMOCOUPLE WITH NIPPLE UNION NIPPLE

**T-106**



Termination Style

A	Die cast Alu A TYPE
B	Die cast Alu B TYPE
C1	Die cast Alu IP-67 (Single Entry)
C2	Die cast Alu IP-67 (Double Entry)
SS	SS- Head
M	Miniature Die cast Aluminium
P	Plastic
EB1	Die cast Alu Explosion / Flame proof IIB (Zone1 & 2)
EB2	SS Explosion / Flame proof IIB (Zone1 & 2)
EC1	Die cast Alu Explosion / Flame proof IIC (T6)
EC2	SS Flame proof IIC (T6)
EC3	Die cast Alu Explosion / Flame proof IIC (T6) ATEX

Junction Style

GN	Grounded
UN	Ungrounded

Thermocouple Element

Type of T/C	Description
K	Chromel/Alumel
J	Iron/Constantan
N	Nicrosil-Nisil
T	Copper/Constantan
E	Chromel/Constantan
Other	Consult Factory
Ex. :	If Simplex - K Duplex - KK

Sheath "OD"

1	Ø1mm
1.5	Ø1.5mm
3	Ø3mm
4.5	Ø4.5mm
6	Ø6mm
8	Ø8mm
Other	Consult Factory

Sheath Material

316	SS 316
310	SS 310
600	Inconel-600
Other	Consult Factory

N/U/N

A	1/2" SCH 80
B	1/2" SCH 40
Other	Consult Factory

Process Connection

Threads	1/2" BSP 1/2" NPT
Other	Consult Factory

Extension Length (E.L.) (mm)

Nominal Length of T/C (L) (mm)

Calibration Standard

A	ANSI MC96.1
D	DIN
I	IEC