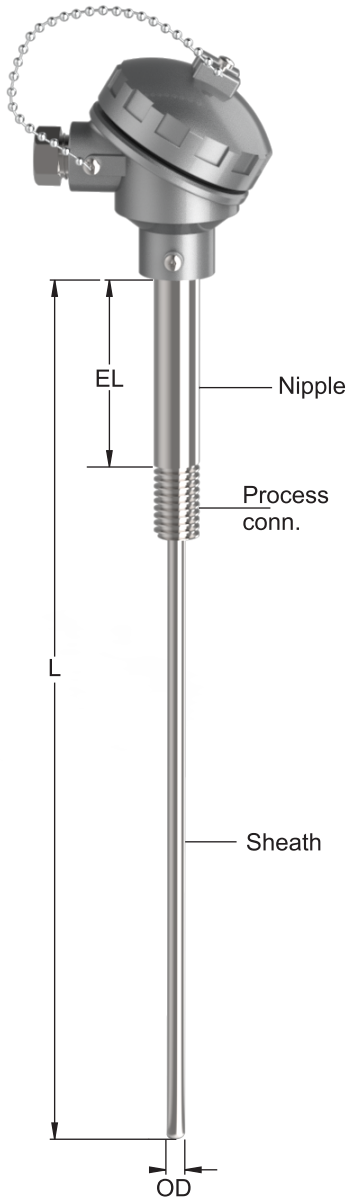


THERMOCOUPLE WITH NIPPLE



T-105

Termination Style		A	Die cast Alu A TYPE																
		B	Die cast Alu B TYPE																
		C1	Die cast Alu IP-67 (Single Entry)																
		C2	Die cast Alu IP-67 (Double Entry)																
		SS	SS- Head																
		M	Miniature Die cast Aluminium																
		P	Plastic																
		EB1	Die cast Alu Explosion/ Flame proof IIB (Zone1 & 2)																
		EB2	SS Explosion / Flame proof IIB (Zone1 & 2)																
		EC1	Die cast Alu Explosion / Flame proof IIC (T6)																
		EC2	SS Flame proof IIC																
		EC3	Die cast Alu Explosion / Flame proof IIC (T6) ATEX																
Junction Style		GN	Grounded																
		UN	Ungrounded																
Thermocouple Element		<table border="1"> <thead> <tr> <th>Type of T/C</th> <th>Description</th> </tr> </thead> <tbody> <tr> <td>K</td> <td>Chromel/Alumel</td> </tr> <tr> <td>J</td> <td>Iron/Constantan</td> </tr> <tr> <td>N</td> <td>Nicrosil-Nisil</td> </tr> <tr> <td>T</td> <td>Copper/Constantan</td> </tr> <tr> <td>E</td> <td>Chromel/Constantan</td> </tr> <tr> <td>Other</td> <td>Consult Factory</td> </tr> <tr> <td>Ex. :</td> <td>If Simplex - K Duplex - KK</td> </tr> </tbody> </table>		Type of T/C	Description	K	Chromel/Alumel	J	Iron/Constantan	N	Nicrosil-Nisil	T	Copper/Constantan	E	Chromel/Constantan	Other	Consult Factory	Ex. :	If Simplex - K Duplex - KK
Type of T/C	Description																		
K	Chromel/Alumel																		
J	Iron/Constantan																		
N	Nicrosil-Nisil																		
T	Copper/Constantan																		
E	Chromel/Constantan																		
Other	Consult Factory																		
Ex. :	If Simplex - K Duplex - KK																		
Sheath "OD"		1	Ø1mm																
		1.5	Ø1.5mm																
		3	Ø3mm																
		4.5	Ø4.5mm																
		6	Ø6mm																
		8	Ø8mm																
		Other	Consult Factory																
Sheath Material		316	SS 316																
		310	SS 310																
		600	Inconel-600																
		Other	Consult Factory																
Nipple		1/2" SCH 80	OD X ID: 21.3 X 13.8mm																
		Other	Consult Factory																
Process Connection		Threads	1/2" BSP 1/2" NPT																
		Other	Consult Factory																
Extention Length (E.L.) (mm)																			
Nominal Length of T/C (L) (mm)																			
Calibration Standard		A	ANSI MC96.1																
		D	DIN																
		I	IEC																