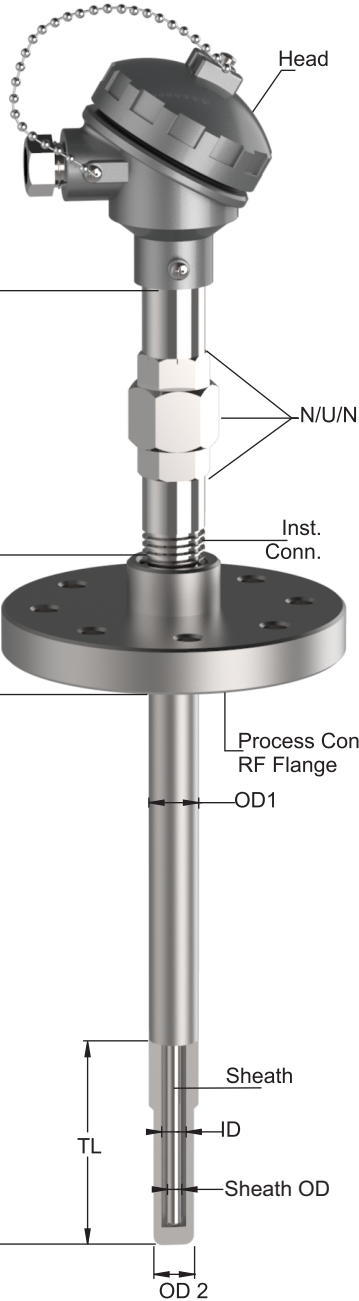


RTD WITH FLANGE N/U/N & STEPPED THERMOWELL



R-732

RTD Element	<input type="text"/>	1	Pt-100x1, Simplex
		2	Pt-100x2, Duplex
		Other	Consult Factory
Termination Style	<input type="text"/>	A	Die cast Alu A TYPE
		B	Die cast Alu B TYPE
		C1	Die cast Alu IP-67 (Single Entry)
		C2	Die cast Alu IP-67 (Double Entry)
		SS	SS- Head
		M	Miniature Die cast Alu.
		P	Plastic
		EB1	Die cast Alu Explosion / Flame proof IIB (Zone1& 2)
		EB2	SS Explosion / Flame proof IIB (Zone1 & 2)
		EC1	Die cast Alu Explosion / Flame proof IIC (T6)
		EC2	SS Flame proof IIC (T6)
		EC3	Die cast Alu Explosion / Flame proof IIC (T6) ATEX
Junction Style	<input type="text"/>	W2	2- Wire
		W3	3- Wire
		W4	4- Wire
Sheath "OD"	<input type="text"/>	3	Ø3mm
		4.5	Ø4.5mm
		6	Ø6mm
		8	Ø8mm
		Other	Consult Factory
Sheath Material	<input type="text"/>	316	SS 316
		Other	Consult Factory
Thermowell Material	<input type="text"/>	316	SS 316
		310	SS 310
		304	SS 304
		600	Inconel-600
		800	Inconel-800
		446	HRS-446
		Other	Consult Factory
Thermowell OD 1(mm)	<input type="text"/>	A	1/2" SCH 80
Thermowell OD 2(mm)	<input type="text"/>	B	1/2" SCH 40
ID (mm)	<input type="text"/>	Other	Consult Factory
N/U/N	<input type="text"/>	Flange Rating	Flange Size
Length of "T" (mm)	<input type="text"/>		Flange Material
Process Conn.	<input type="text"/>	150 #	1/2" SS 316
Flange Material	<input type="text"/>	300 #	3/4" SS 310
			1" SS 304
Inst. Conn.	<input type="text"/>	400 #	1 1/2" Cast Steel
			1 1/4"
Tip Length (T.L.) (mm)	<input type="text"/>		2"
Insertion Length (I.L.) (mm)	<input type="text"/>	Other	Consult Factory
Extension Length (E.L.) (mm)	<input type="text"/>	Threads	1/4"
Nominal Length of T/C "L" (mm)	<input type="text"/>		1/2"
			3/4"
			3/8"
		B.S.P. / N.P.T.	1"
			1 1/4"
			1 1/2"
			2"
		M-Thread	M20X1.5, M18X1.5, M33X2, M27X2
		Other	Consult Factory
Calibration Standard	<input type="text"/>	A	ANSI MC96.1
		D	DIN
		I	IEC