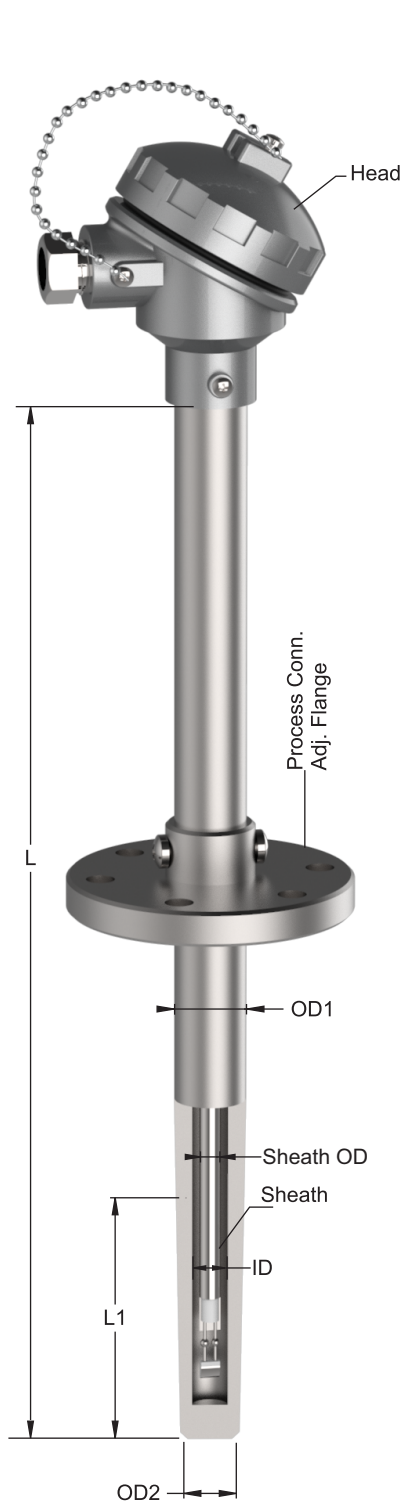


RTD WITH TAPPER THERMOWELL & ADJUSTABLE FLANGE



R-503

RTD Element	<input type="text"/>	1	Pt-100x1, Simplex
		2	Pt-100x2, Duplex
		Other	Consult Factory
Termination Style	<input type="text"/>	A	Die cast Alu A TYPE
		B	Die cast Alu B TYPE
		C1	Die cast Alu IP-67 (Single Entry)
		C2	Die cast Alu IP-67 (Double Entry)
		SS	SS- Head
		M	Miniature Die cast Aluminium
		P	Plastic
		EB1	Die cast Alu Explosion / Flame proof IIB (Zone1 & 2)
		EB2	SS Explosion / Flame proof IIB (Zone1 & 2)
		EC1	Die cast Alu Explosion / Flame proof IIC (T6)
		EC2	SS Flame proof IIC (T6)
		EC3	Die cast Alu Explosion / Flame proof IIC (T6) ATEX
Junction Style	<input type="text"/>	W2	2- Wire
		W3	3- Wire
		W4	4- Wire
Sheath "OD"	<input type="text"/>	3	Ø3mm
		4.5	Ø4.5mm
		6	Ø6mm
		8	Ø8mm
		Other	Consult Factory
Sheath Material	<input type="text"/>	316	SS 316
		Other	Consult Factory
Thermowell OD1 (mm)	<input type="text"/>	316	SS 316
		310	SS 310
		304	SS 304
		600	Inconel-600
		800	Inconel-800
		446	HRS- 446
		Other	Consult Factory
Thermowell OD2 (mm)	<input type="text"/>	Flange Rating	Flange Size
Thermowell "ID" (mm)	<input type="text"/>	Adj. Flange	1/2"
Outer Sheath Material	<input type="text"/>	# 150	3/4"
		# 300	1"
Process Conn.	<input type="text"/>	# 400	1 1/2"
		# 600	1 1/4"
			2"
		Standard Adj. Flange P.C.D.-70mm	
Flange Material	<input type="text"/>	316	SS 316
		310	SS 310
		304	SS 304
		C S	Cast Steel
		Other	Consult Factory
Taper Length (L1) (mm)	<input type="text"/>		
Nominal Length of T/C "L" (mm)	<input type="text"/>		
Calibration Standard	<input type="text"/>	A	ANSI MC96.1
		D	DIN
		I	IEC