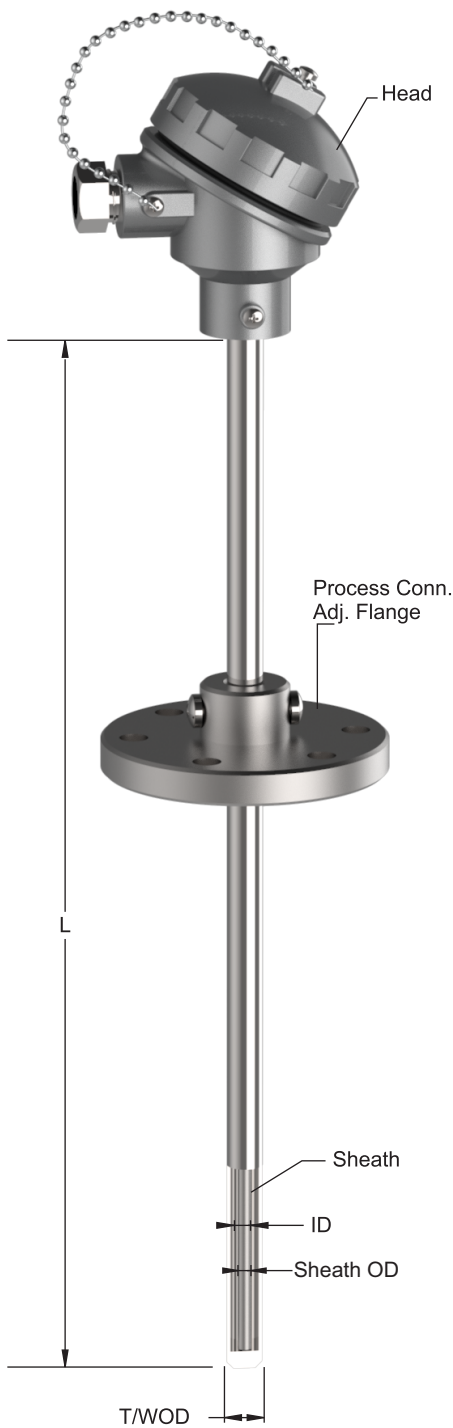


# RTD WITH THERMOWELL & ADJUSTABLE FLANGE



## R-502

RTD Element	1	Pt-100x1, Simplex	
	2	Pt-100x2, Duplex	
	Other	Consult Factory	
Termination Style	A	Die cast Alu A TYPE	
	B	Die cast Alu B TYPE	
	C1	Die cast Alu IP-67 (Single Entry)	
	C2	Die cast Alu IP-67 (Double Entry)	
	SS	SS- Head	
	M	Miniature Die cast Aluminium	
	P	Plastic	
Junction Style	EB1	Die cast Alu Explosion / Flame proof IIB (Zone1 & 2)	
	EB2	SS Explosion / Flame proof IIB (Zone1 & 2)	
	EC1	Die cast Alu Explosion / Flame	
	EC2	SS Flame proof IIC (T6)	
	EC3	Die cast Alu Explosion / Flame proof IIC (T6) ATEX	
	Other	Consult Factory	
Sheath "OD"	W2	2- Wire	
	W3	3- Wire	
	W4	4- Wire	
	Other	Consult Factory	
Sheath Material	3	Ø3mm	
	4.5	Ø4.5mm	
	6	Ø6mm	
	8	Ø8mm	
	Other	Consult Factory	
Thermowell "OD"(mm)	316	SS 316	
	Other	Consult Factory	
Thermowell "ID" (mm)	310	SS 310	
	Other	Consult Factory	
Thermowell Material	304	SS 304	
	600	Inconel-600	
	800	Inconel-800	
	446	HRS- 446	
	Other	Consult Factory	
	Other	Consult Factory	
Process Conn.	Flange Rating	Flange Size	Flange Material
	Adj. Flange	1/2"	SS 316
	150#	3/4"	SS 310
	300#	1"	SS 304
	400#	1 1/2"	Cast Steel
	600#	1 1/4"	
	600#	2"	
Standard Adj. Flange P.C.D.-70mm			
Flange material	316	SS 316	
	310	SS 310	
	304	SS 304	
	Other	Consult Factory	
Nominal Length of T/C "L" (mm)	C S	Cast Steel	
	Other	Consult Factory	
	Other	Consult Factory	
Calibration Standard	A	ANSI MC96.1	
	D	DIN	
	I	IEC	