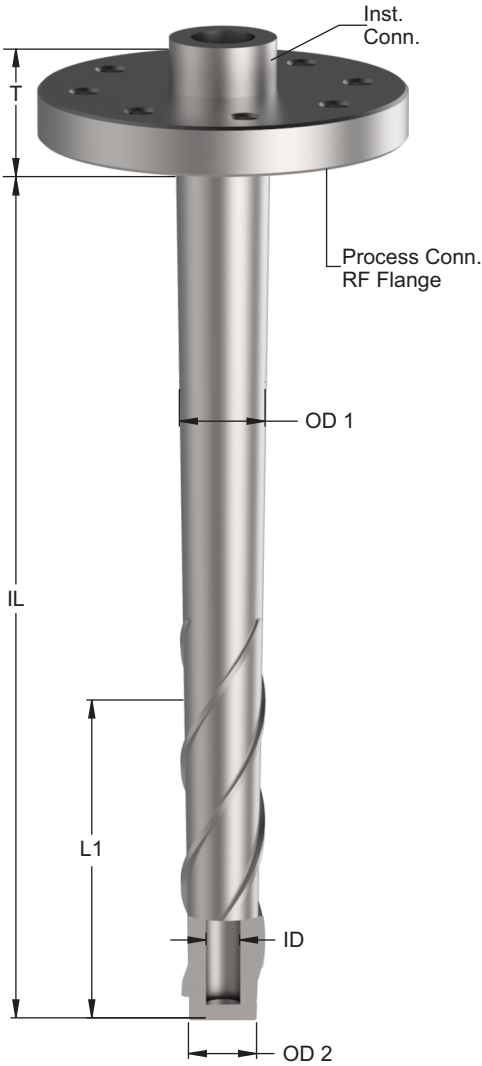


# HELICAL TAPER THERMOWELL WITH FLANGE

**A-118**



Thermowell Material

304	SS 304
310	SS 310
316	SS 316
600	Inconel-600
800	Inconel-800
446	HRS- 446
Other	Consult Factory

Thermowell OD1(mm)

Thermowell OD2 (mm)

ID (mm)

Process Conn. RF Flange

Flange Rating	Flange Size
# 150	1/2"
# 300	3/4"
# 400	1"
# 600	1 1/2"
	1 1/4"
	2"
Other	Consult Factory

Flange Material

316	SS 316
310	SS 310
304	SS 304
CS	Cast Steel
Other	Consult Factory

Instrument. Conn.

Taper Length "L1"(mm)

Length of "T" (mm)

Insertion Length "I.L."(mm)

Threads	1/4"
	1/2"
	3/4"
	3/8"
	1"
	1 1/4"
B.S.P./ N.P.T.	1 1/2"
	2"
	M-Thread
M20X1.5, M18X1.5	
M27X2	
Other	Consult Factory