

PORTABLE BLACK BODY

CALsys 37BB+ calibration source is accurate & stable Portable blackbody specially designed for increasing accuracy of thermal imager based human body temperature monitoring. This model uses a solid state thermoelectric coolers so that the block can be both cooled and heated. This brings two major benefits, the black body can maintain its set point in high ambient temperature conditions and it can also operate below the ambient temperature.

The emissivity of the target is 0.96(±0.01). The temperature of the furnace is set and controlled by a self tuned PID controller with automatic super fine adjustment.



Specifications

Temperature Range	: 20°C to 50°C
Temp Resolution	: 0.01°C
Stability	: ±0.01°C at 37°C
Controlling Sensor	: Precision PRT
Method of Control	: Digital self tuned Eurotherm PID Controller
Emissivity	: 0.96 ±0.01
Time to Reach Max Temp:	10 to 15 Mins
Power Requirement	: 24VDC, 150W
Dimensions of cabinet	: 200(H)X150(W)X175(D) mm (Approx)
Cavity	: High Emissivity Painted Aluminum Plate
Target Area	: 70 mm x 70 mm
Weight	: 4Kg approx (without packing)

Key Features

- High Accuracy
- High Stability
- Simple to use and cost effective
- Portability
- It has Tripod/Wall Mounting provision
- Provision for external reference sensor

Standard Accessories

- Power Adapter
- NABL Accredited Calibration Certificate
- Operating Manual

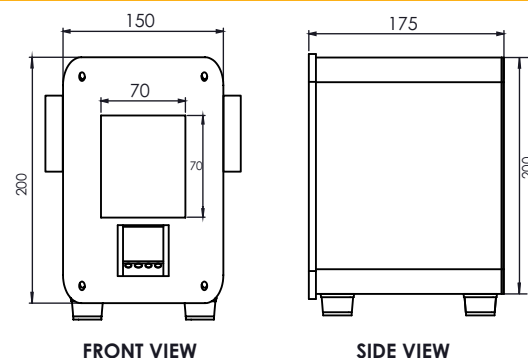
Optional Accessories

- High accuracy temperature probe with 0.01 Resolution Tempmet meter with NABL certificate



Provision For External Ref. Sensor

Dimensions



Tempsens Instruments (I) Pvt. Ltd.

A-190, Road No.5, M.I.A., Udaipur-313003 (Rajasthan) INDIA

Ph.:+91-294-3052900, Fax.:+91-294-3052950

Email: info@tempsens.com

www.tempsens.com