

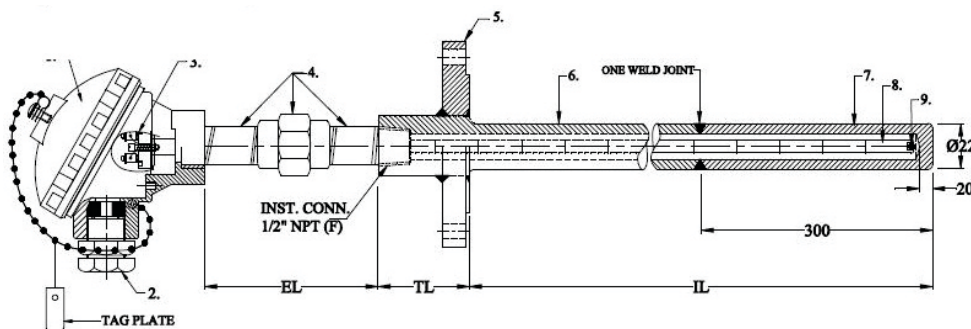
This application needs a thermocouple assembly rugged enough to measure material temperature in a very abrasive, high vibration kiln environment, so to meet with above challenge the thermowell is manufactured with an alloy that has excellent thermal shock and wear resistance. This particular material also shows great strength against sulphur and vanadium attacks.



## SPECIFICATIONS

Element	K Type
Wire Diameter	1.2 mm
Insulation	Ceramic Beads KER 710
Thermowell	HRS 446

## DRAWINGS



S No.	Description
1	Connection Head IP67
2	Cable Gland ½" NPT (M)
3	Ceramic Block with Terminal Spring Loaded
4	NUN ½" NPT (M) ½" SCH 80S
5	RF 150# 1.5" Flange
6	Thermowell HRS 446
7	Thermowell Special Alloy
8	Insulation Ceramic Beads KER 710
9	Inset K Type Thermocouple