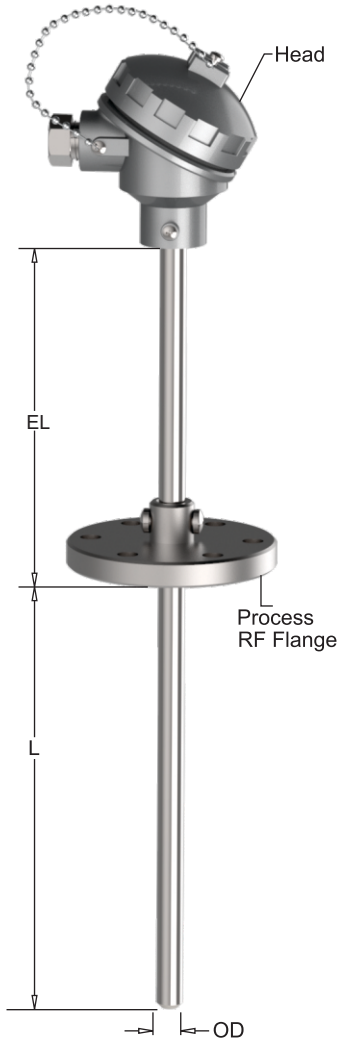


THERMOCOUPLE FOR KILN INLET



	<input type="text"/>		
Termination Style	<input type="text"/>	C1	Diecast Alu IP-67(Single Entry)
		Other	Consult Factory
Junction Style	<input type="text"/>	GN	Grounded Rounded Tip
		UN	Ungrounded Rounded Tip
Thermocouple Element	<input type="text"/>	Type of T/C	Description
		K	Chromel/Alumel
Thermowell Material	<input type="text"/>	446	HRS- 446
		Other	Consult Factory
Thermowell OD (mm)	<input type="text"/>	34	Ø 34 mm
		Other	Consult Factory
Process Conn.	<input type="text"/>	Flange Rating	Flange Size
		150 #	1/2"
		300 #	3/4"
		400 #	1"
		600 #	1 1/2"
			1 1/4"
			2"
		Other	Consult Factory
Insulation Material	<input type="text"/>	KER 610	Ceramic Beads
		Other	Consult Factory
Nominal Length OF T/C "L" (mm)	<input type="text"/>		
Calibration Standard	<input type="text"/>	A	ANSI MC96.1