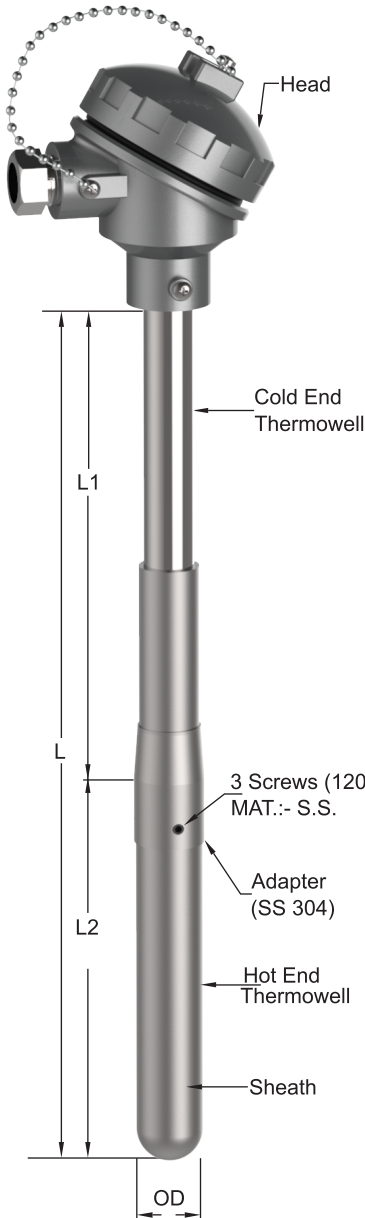


THERMOCOUPLE FOR MOLTEN ALUMINIUM (STRAIGHT)



T-951

Termination Style

A	Die cast Alu A TYPE
B	Die cast Alu B TYPE
C1	Diecast Alu IP-67(SGL Entry)
C2	Diecast Alu IP-67(DBL Entry)
SS	SS- Head
M	Miniature Die cast Alum.
P	Plastic
EB1	Die cast Alu Explosion / Flame proof IIB (Zone1&2)
EB2	SS Explosion / Flame proof IIB (Zone1 & 2)
EC1	Die cast Alu Explosion / Flame proof IIC (T6)
EC2	SS Flame proof IIC (T6)
EC3	Die cast Alu Explosion / Flame proof IIC (T6) ATEX

Junction Style

GN	Grounded
UN	Ungrounded

Thermocouple Element

Type of T/C	Description
K	Chromel/Alumel
J	Iron/Constantan
N	Nicrosil-Nisil
T	Copper/Constantan
E	Chromel/Constantan
Other	Consult Factory
Ex. :	If Simplex - K Duplex - KK

Sheath "OD"

6	Ø6mm
8	Ø8mm

Sheath Material

316	SS 316
310	SS 310
600	Inconel-600
Other	Consult Factory

Thermowell Material Cold End

316	SS 316
310	SS 310
304	SS 304
600	Inconel-600
800	Inconel-800
Other	Consult Factory

Cold End OD (mm)

Cold End ID (mm)

Thermowell Material Hot End

CS	Cast Iron
SN	Silicon Nitride
Other	Consult Factory

Hot End OD (mm)

Hot End ID (mm)

Length "L1" (mm)

Length "L2" (mm)

Nominal Length of T/C "L" (mm)

Calibration Standard

A	ANSI MC96.1
D	DIN
I	IEC