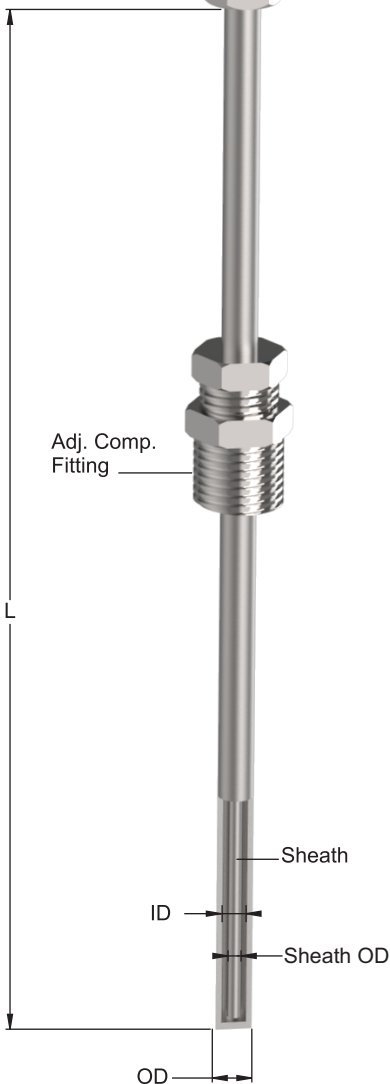


# RTD WITH THERMOWELL & ADJUSTABLE FITTING



**R-501**

RTD Element Head		1	Pt-100x1, Simplex
		2	Pt-100x2, Duplex
		Other	Consult Factory
Termination Style		A	Die cast Alu A TYPE
		B	Die cast Alu B TYPE
		C1	Die cast Alu IP-67 (Single Entry)
		C2	Die cast Alu IP-67 (Double Entry)
		SS	SS- Head
		M	Miniature Die cast Aluminium
		P	Plastic
		EB1	Die cast Alu Explosion / Flame proof IIB (Zone1 & 2)
		EB2	SS Explosion / Flame proof IIB (Zone1 & 2)
		EC1	Die cast Alu Explosion / Flame proof IIC (T6)
	EC2	SS Flame proof IIC (T6)	
	EC3	Die cast Alu Explosion / Flame proof IIC (T6) ATEX	
Junction Style		W2	2- Wire
		W3	3- Wire
		W4	4- Wire
Sheath Diameter "OD"		3	Ø3mm
		4.5	Ø4.5mm
		6	Ø6mm
		8	Ø8mm
		Other	Consult Factory
Sheath Material		316	SS 316
		Other	Consult Factory
Thermowell "OD" (mm)		316	SS 316
		310	SS 310
Thermowell "ID" (mm)		304	SS 304
		600	Inconel-600
		800	Inconel-800
Thermowell Material		446	HRS- 446
		Other	Consult Factory
Fitting	Threads	1/4"	
		1/2"	
		3/8"	
		3/4"	
	B.S.P. / N.P.T.	1"	
		1 1/4"	
		1 1/2"	
	2"		
M-Thread	M20X1.5, M18X1.5, M33X2, M27X2		
Other	Consult Factory		
N/A	Not Applicable		
Nominal Length of T/C "L" (mm)		A	ANSI MC96.1
		D	DIN
		I	IEC
Calibration Standard		A	ANSI MC96.1
		D	DIN
		I	IEC